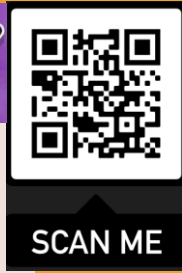


Year 6 Knowledge Map – Term 4

Maths



Log in to battle for your band! It is recommended that you should be using TTRS at least one hour per week!

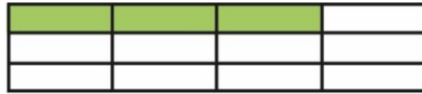
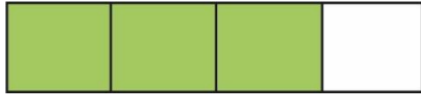
Over the next few weeks, we will be exploring how to multiply and divide using fractions and we will be applying this knowledge to reasoning problems.

Scan the code to learn how to multiply fractions!



Scan to learn about the real inspiration behind Disney fairy tales!

$$\frac{1}{3} \times \frac{3}{4}$$



$\frac{3}{4}$ is shaded.

$\frac{1}{3} \times \frac{3}{4}$ is shaded. I can see this represents $\frac{3}{12}$. $\frac{1}{3} \times \frac{3}{4} = \frac{3}{12}$

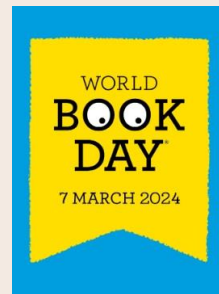
Scan the code to learn how to divide fractions by integers!



Scan for access to the maths games that we play in lessons!

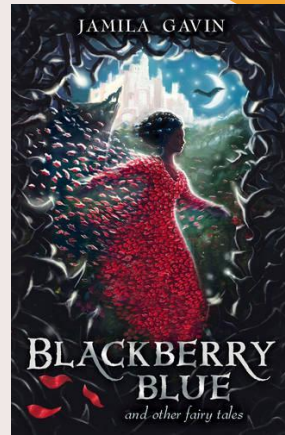
World Book Day

To celebrate World Book Day, on Thursday 7th March, you can come to school in your pyjamas! We will be reading with children from Year 3 on the day!



English

This term we are going to be explore some modern fairy tales written by Jamila Gavin. We are going her book Blackberry Blue as inspiration to write our own fairy tale and to create imaginative yet relatable worlds and characters



SCAN ME



Scan to hear the author the book, Jamila Gavin, reading from her book!

Spelling – Learn these statutory spellings and try to use them in your writing.

- | | | | |
|-----------|-------------|------------|---------------|
| necessary | occur | prejudice | programme |
| neighbour | opportunity | privilege | pronunciation |
| nuisance | parliament | profession | |
| occupy | persuade | | |
| | physical | | |

Scan for access to Spelling Shed games!



SCAN ME

This term, we will be learning about electricity. We will be exploring the components needed to create a circuit. We will be celebrating Science week (beginning 11th March) by learning about Morse code and building circuits to send Morse coded messages.

SCAN ME

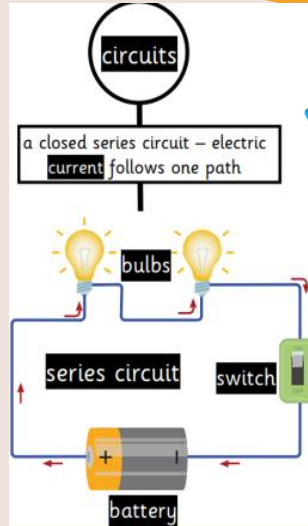


Science

Use this link to find out more about Morse Code.

Follow this link to find about electricity!

SCAN ME



Invented by Samuel Morse (1791-1872)



PSHE

We will be focusing on the topic of 'Healthy Me'. We will be exploring how choices we make affect our health and wellbeing, finding ways to manage stress and pressures of our daily lives and explore strategies to maintain a good mental health.



SCAN ME

SATs Help



Scan this QR code to use the BBC Bitesize website to support your child's learning of key concepts for Maths and SPAG in preparation for SATs.

Key Dates
Wed 6th Mar – Class Photos
Thu 7th Mar – World Book Day
11th – 15th Mar – Science Week
Fri 15th Mar – Comic Relief
Fri 22nd Mar – Maths Morning
(Adults welcome to join us for maths games)

Geography



SCAN ME

Scan this link to find out more about tectonic plates.



In Geography in this term we will be looking at Volcanoes, mountains and natural disasters. They will kickstart their learning by looking at the Earth's structure and know more about tectonic plate and their locations.

